

- 1
- 2
- 3
- 4
- 5
- 6
- 7
- 8
- 9
- 10
- 11
- 12
- 13
- 14
- 15
- 16
- 17
- 18

MATERIAL

AISI 303 stainless steel, sandblasted matte finish.

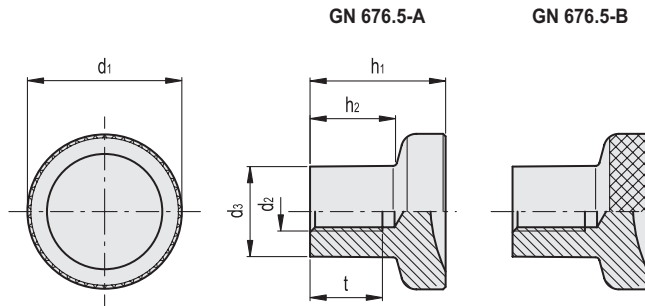
STANDARD EXECUTIONS

Threaded blind hole.

- **GN 676.5-A:** plain rim.
- **GN 676.5-B:** knurled rim.

SPECIAL EXECUTIONS ON REQUEST

Different threadings.



Conversion Table
1 mm = 0.039 inch

d1	
mm	inch
21	0.83
25	0.98
31	1.22

Code	Description	d1	d2	d3	h1	h2	tmin	⚖
GN.29461	GN 676.5-21-M5-A	21	M5	12.5	18	10.5	10	26
GN.29463	GN 676.5-21-M5-B	21	M5	12.5	18	10.5	10	26
GN.29465	GN 676.5-25-M6-A	25	M6	14.5	22.5	14	12	42
GN.29467	GN 676.5-25-M6-B	25	M6	14.5	22.5	14	12	42
GN.29471	GN 676.5-31-M8-A	31	M8	18.5	27	17	15	79
GN.29473	GN 676.5-31-M8-B	31	M8	18.5	27	17	15	79

Fixed & Revolving handles